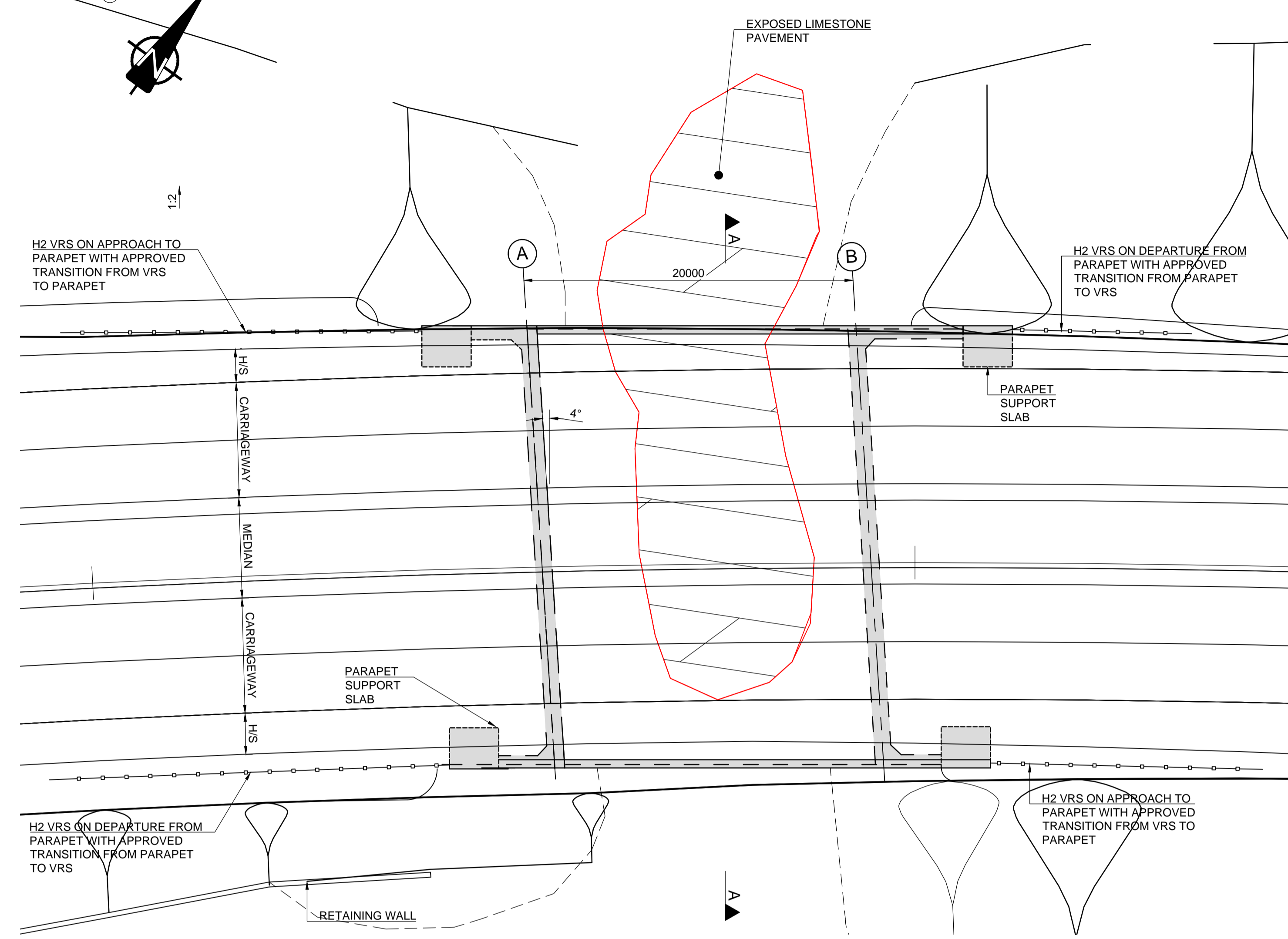
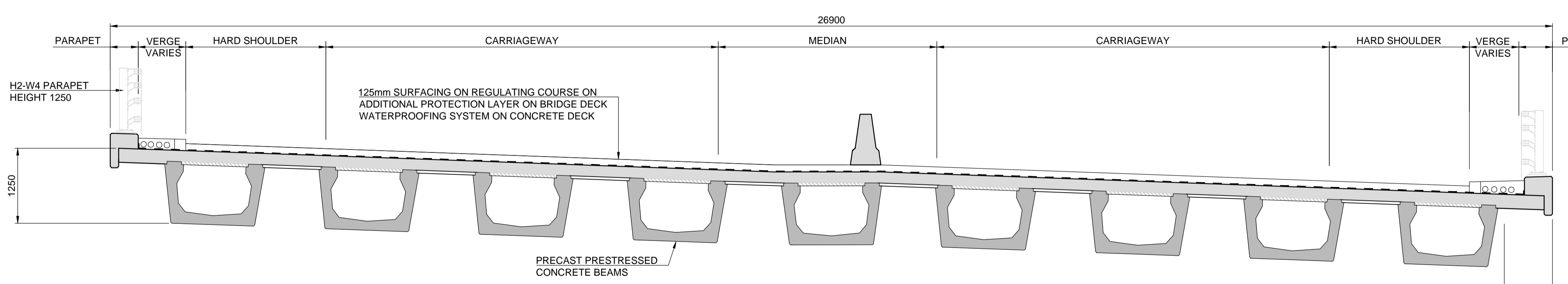


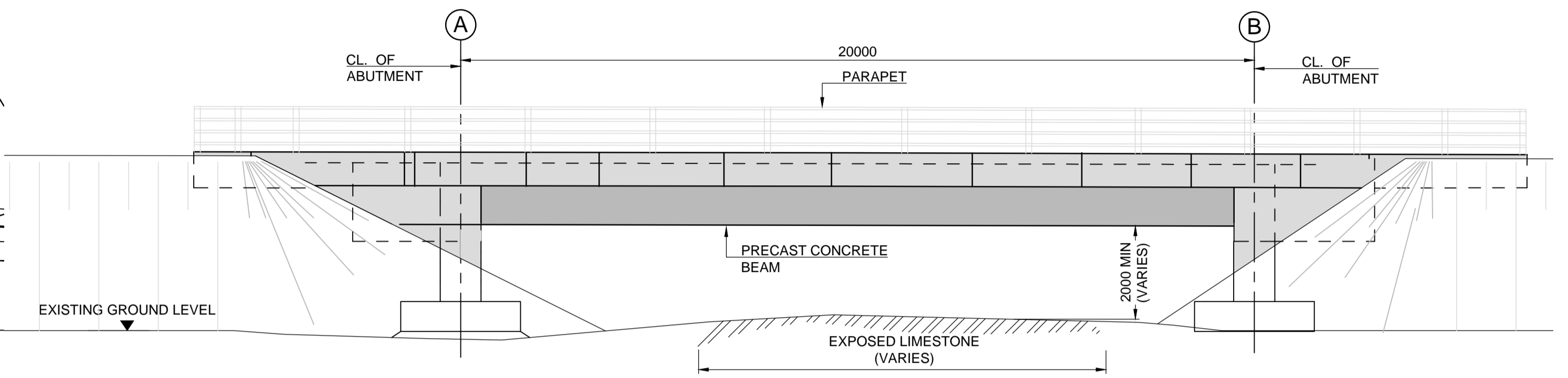
- NOTES:**
- ALL DIMENSIONS ARE SHOWN IN MILLIMETRES UNLESS NOTED OTHERWISE.
 - ALL LEVELS ARE SHOWN IN METRES ABOVE ORDNANCE DATUM.



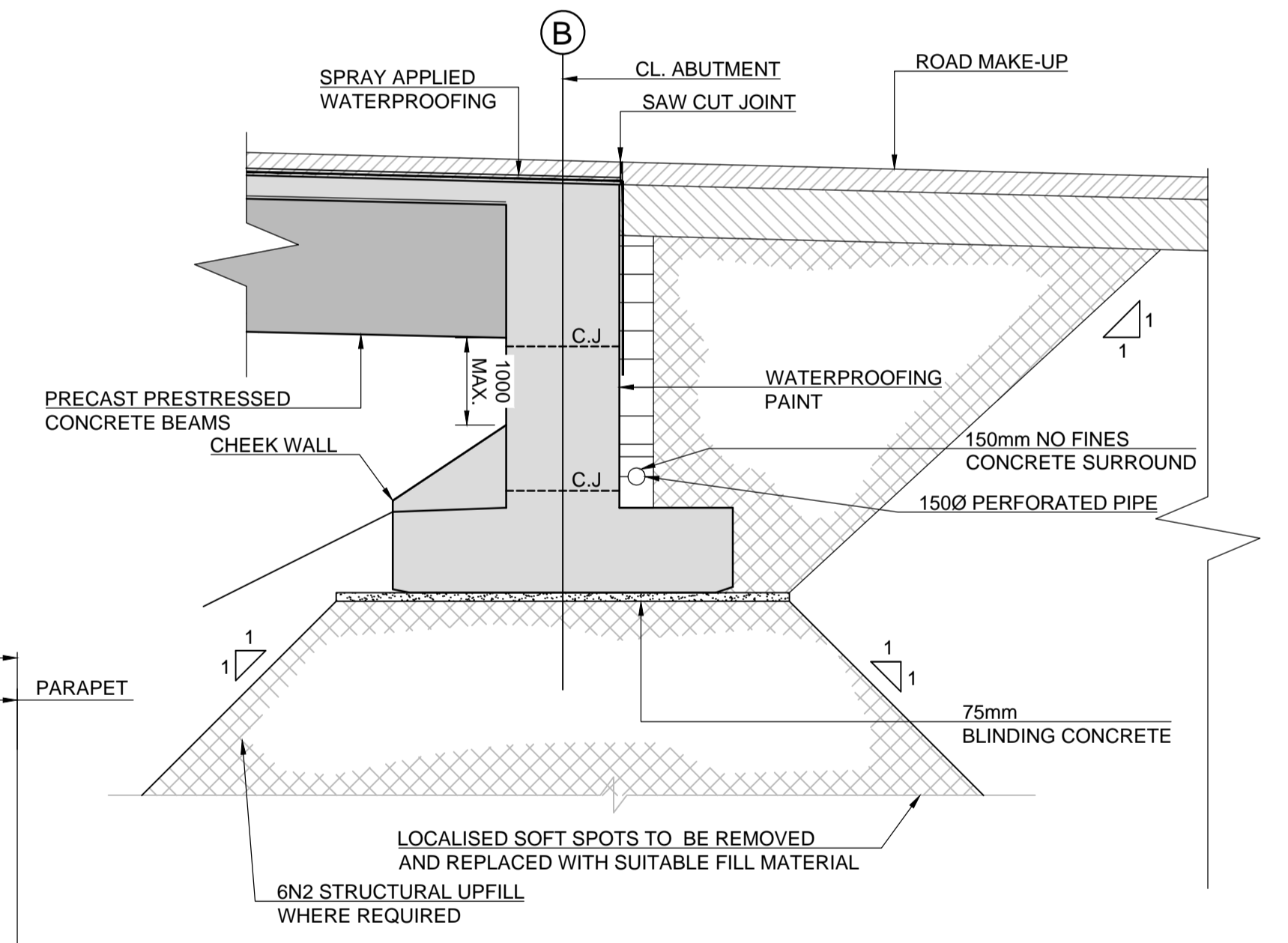
PLAN ON BRIDGE
SCALE 1:200



SECTION A-A
SCALE 1:50



TYPICAL ELEVATION
SCALE 1:100



TYPICAL WEST ABUTMENT CROSS SECTION
SCALE 1:50

San áireamh tá sonraíocht Shuirbhíreachtí Ordnáis Éireann arna aistriú go dtí foíochán OSI Uimh. 2010/18CCMA/Comhairle Contae na Gaillimhe. Sírúinn aistriú go dtí foíochán na cóscheart Shuirbhíreachtí Ordnáis Éireann agus Bialas na hÉireann. © Suirbhíreachtí Ordnáis Éireann, 2010.

© Suirbhíreachtí Ordnáis Éireann. Gach ceart ar chosaint. Uimhir cheadúnais 2010/18CCMA/Comhairle Contae na Gaillimhe.

Includes Ordnance Survey Ireland data reproduced under OSI Licence number 2010/18CCMA/Galway County Council. Unauthorised reproduction infringes Ordnance Survey Ireland and Government of Ireland copyright. © Ordnance Survey Ireland, 2010.

© Ordnance Survey Ireland. All rights reserved. Licence number 2010/18CCMA/Galway County Council.

Clients

Comhairle Chontae na Gaillimhe
Galway County Council

Galway City Transport Project

An Roinn Iompair
Turasóireachta agus Spóirt
Department of Transport, Tourism and Sport

TIU
Bonnagar Iompair Éireann
Transport Infrastructure Unit

Consultant

ARUP

Corporate House
City East Business Park
Ballybrit, Galway, Ireland.

Tel +353 (0)91 460675
www.NGalwayCity.ie
www.arup.ie

Job Title
N6 Galway City Ring Road

Scale
AS SHOWN @ A1

Date
February 2018

I3	22/02/2018	LM	PM	EMC
I2	30/06/2017	LM	PM	EMC
I1	11/07/2016	PD	PM	EMC
Issue	Date	By	Chkd	Appd

Drawing Title
**Culverts and Underpasses:
Structure C10/01**

Drawing Status

For Information

Job No	Drawing No	Issue
233985	GCOB-1700-D-C10-01-001	13